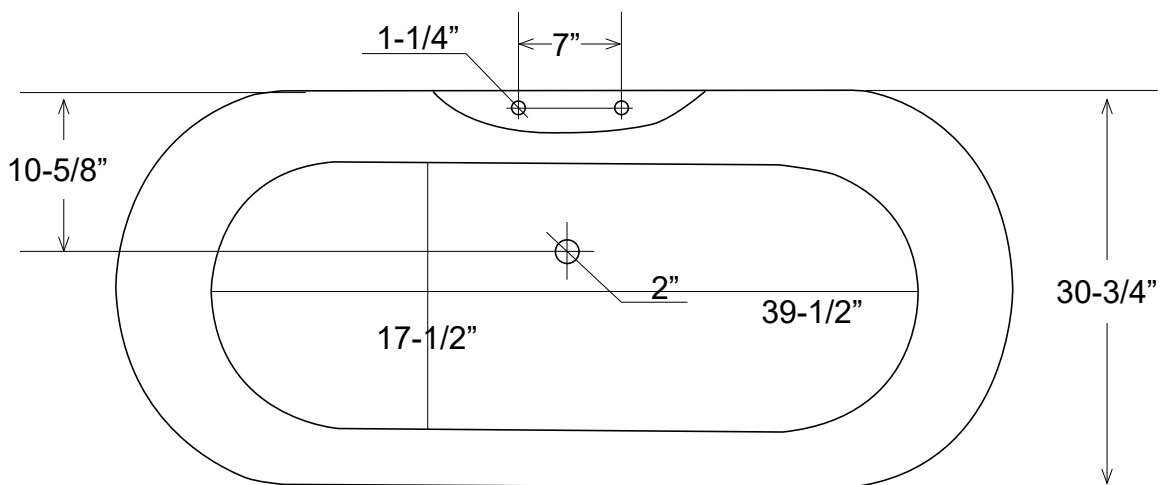
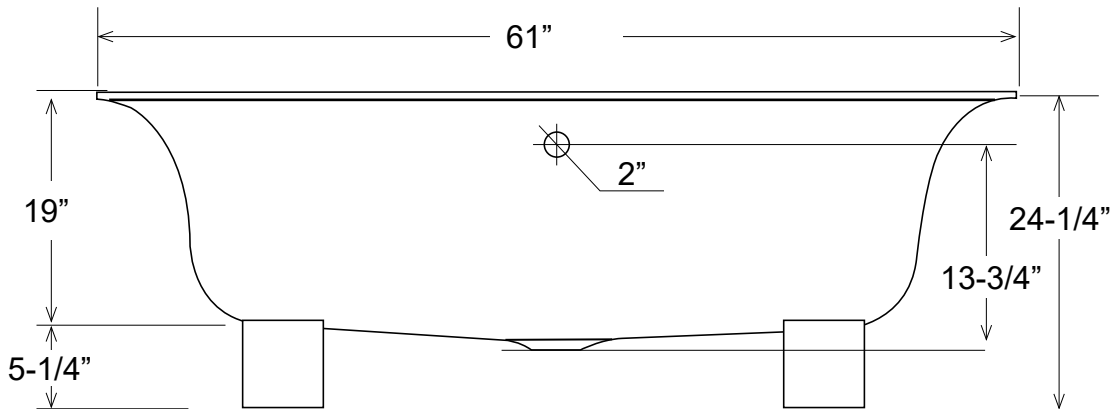


61" Cast Iron Dual Tub with Wood Block Base

Dimensions	61" L x 30-3/4" W x 24-1/4" H
Water Capacity	47 gallons
Tub Weight Uncrated	350 lbs
Water Depth	13-3/4" H
Faucet Configurations	no rim holes (DRC610)-W / 7" rim holes (DRC611-W)



Measurements may vary by up to 1/2"