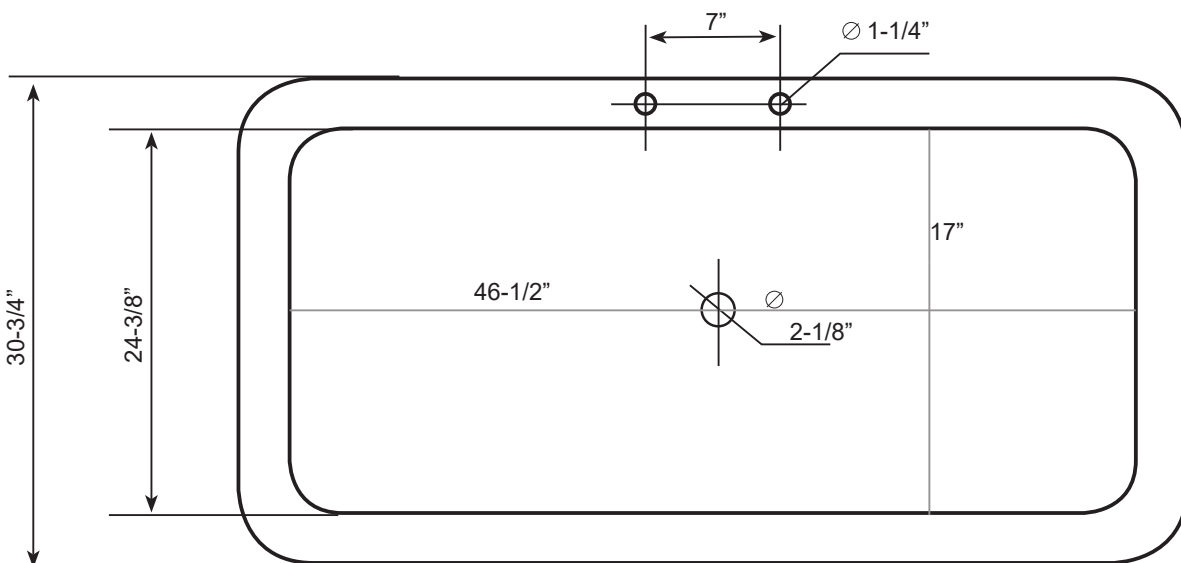
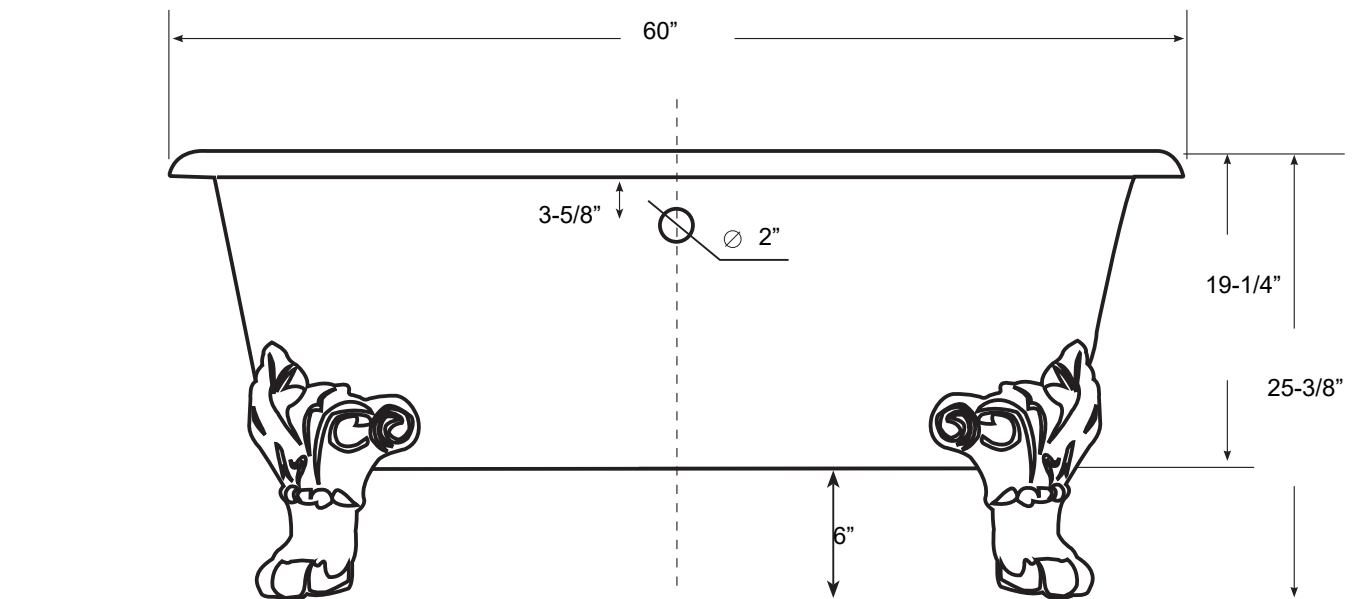


60" Cast Iron Dual Tub with Bear Feet

Dimensions	60" L x 30-3/4" W x 25-3/8" H
Water Capacity	45 gallons
Tub Weight Uncrated	464 lbs
Water Depth	14-1/4" H
Faucet Configurations	no rim holes (DRB600) / 7" rim holes (DRB601)



Measurements may vary by up to 1/2"